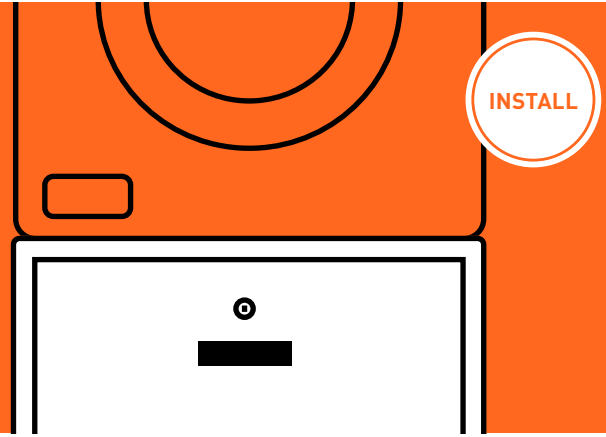


Universal Laundry Pedestal with Locking Drawer

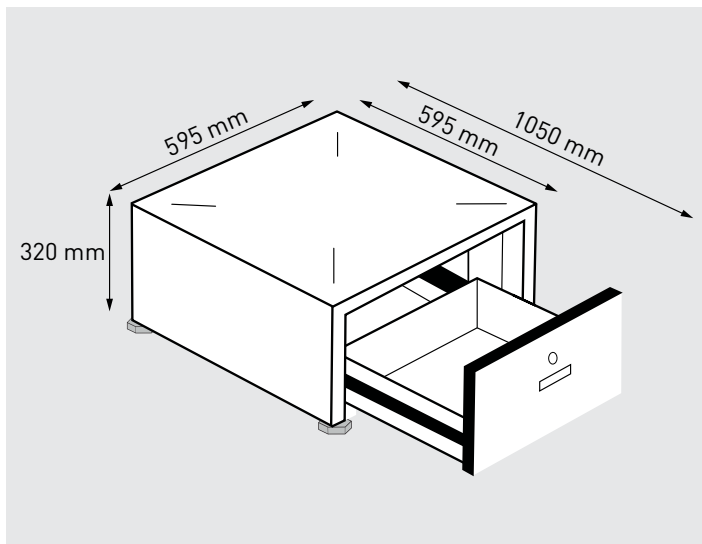
Convenient height and safe storage

ULX110



DESCRIPTION

The pedestal raises your front load washer or dryer to a perfect height, which means a better working height when loading or unloading your laundry. You can never have enough storage. The Unilux pedestal opens up to reveal a large storage drawer, perfect for all your laundry essentials, so you can keep your laundry neat and tidy.



TIPS/ FEATURES

- Clever and safe large storage drawer.
- Convenient height when working for loading and unloading.
- Suitable for Front Load washers, Dryers, and washer/Dryer combo's up to 60cm x 60cm in dimensions.
- Do not stack a dryer on top of washing machine if using a pedestal.
- Do not install it alone.
- Before proceeding with installation, make sure there is enough room.

CONTENTS

The following items are included in the kit.

- A** 4 x locking brackets
- B** 4 x adjustable feet with lock nuts
- C** 4 x bolts
- D** 4 x spring washers
- E** 4 x flat washers
- F** 2 x keys
- 1 x installation instructions

SUITABLE FOR MOST BRANDS INCLUDING:

AEG
Electrolux
Simpson

Ariston
BEKO
Bosch
Euromaid
Fisher & Paykel
Gorenje
Haier
LG

Miele
Samsung
Siemens
SMEG
Whirlpool

GET IN TOUCH WITH US

For more information on all UNILUX accessories, phone or email our customer care teams

AUSTRALIA

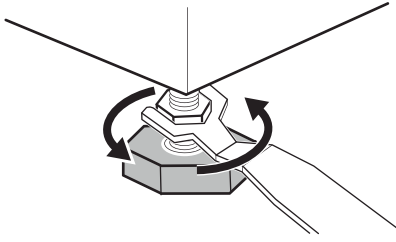
1300 363 640
customer@electrolux.com.au
uniluxaccessories.com.au

NEW ZEALAND

0800 234 234
customer@electrolux.co.nz
uniluxaccessories.co.nz

INSTALLATION

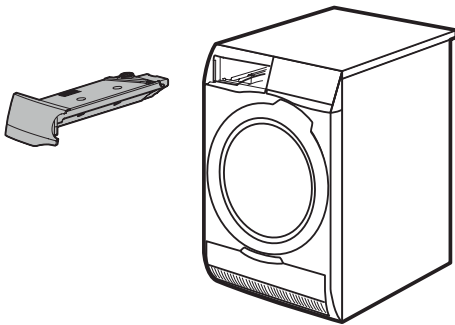
1. Remove the pedestal and all accessories from the box.
2. Fit the four (4) feet to the pedestal and adjust to make it stable.



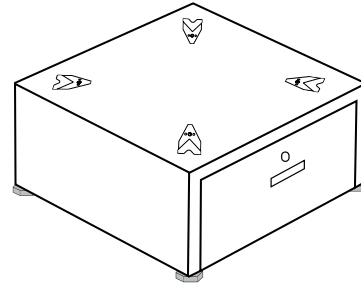
3. If you install the pedestal under a brand new appliance, unpack the appliance as indicated in the instructions supplied with it then proceed with step 5.
4. If the appliance is already connected:
 - Disconnect the mains plug from the mains socket.
 - For washing machine. Close the water tap. -

For washing machine. Disconnect the inlet hose(s) from the water tap and let the water flow out from the inlet hose(s) and the drain hose and collect it in a shallow basin.

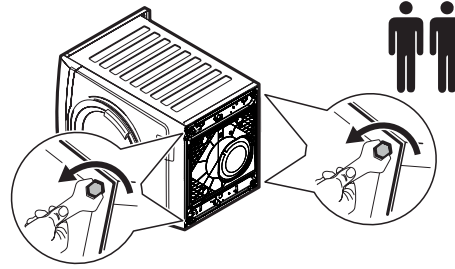
- For tumble dryer. Empty the water container in a wash basin or, if available, activate the direct drain system to let the water flow out.



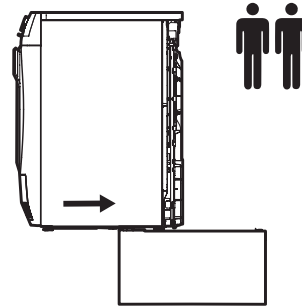
5. Fit the locking brackets.
 - a. Assemble the bolt **C**, spring washer **D** and flat washer **E** for each bracket.
 - b. Fit each of the four (4) locking brackets **A** with the pointed section facing inwards.
 - c. Screw in the assembled bolt only until finger-tight, loose enough to adjust later.



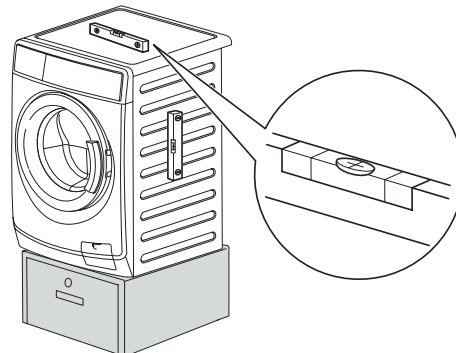
6. Adjust the appliance feet at a suitable height to allow them to slide under the foot locking brackets.



7. Lift the appliance onto the pedestal so that the appliance front feet slide under the foot locking brackets. Tighten the bolts securing the fast locking brackets, ensuring the bracket is firmly against each feet of the appliance.



8. Move the Pedestal/Appliance assembly to its permanent location. Use a spirit level to check if the assembly is properly leveled. If not leveled, adjust feet to level properly.



9. Connect the appliance as indicated in the instructions supplied with the appliance.

GET IN TOUCH WITH US

For more information on all UNILUX accessories, phone or email our customer care teams

AUSTRALIA

1300 363 640
 customercare@electrolux.com.au
 uniluxaccessories.com.au

NEW ZEALAND

0800 234 234
 customercare@electrolux.co.nz
 uniluxaccessories.co.nz